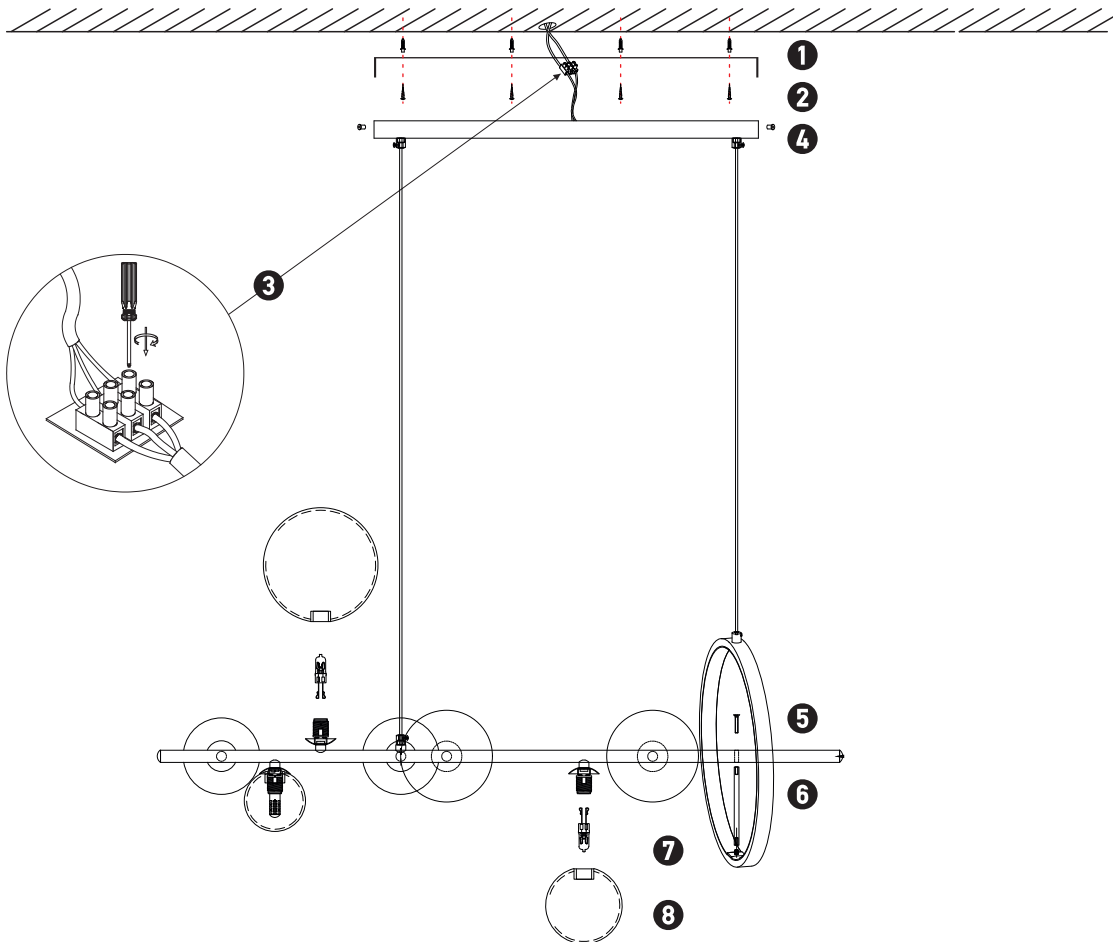




Connecting the Terminal Block

Connect main supply (brown - Live, blue - Neutral) into terminal block making sure all connections are tight.



PENDANT LIGHT

22063

Please read instructions before commencing installation and retain for future reference.

SPECIFICATIONS

- **Material:** Metal + Aluminum + Glass + Silicon
- **Lamp Type:** LED , 14W , 3000K , 1900Lm , CRI 80 | 7x G9 LED Bulb , 7W MAX / Bulb
- **Ingress Protection:** IP20. Protection against entry of solid objects greater than 12mm in diameter.

INSTALLATION INSTRUCTIONS

⚠ Electrical products can cause death, injury, or damage to property. Installation of this product must be carried out by a qualified electrician.

- Ensure main supply is switched off.
- Insert the masonry plugs into the mounting surface (1).
- Fit the mounting bracket onto the mounting surface with the self-tapping screws (2).
- Connect main supply wires to the terminal block (3) making sure all connections are tight.
- Fit the ceiling plate onto the mounting bracket with the screws (4).
- Fit LED Ring (5) with the big screw (6) onto the central arm.
- Fit all G9 LED lamps firmly into lamp-holders (7).
- Screw clockwise all the glasses (8).
- Reconnect power (8).

WARNING

- Make sure that the products is installed properly before connecting to electricity.
- Do not cover the fitting.
- Not for outdoor use or in wet conditions.

